

P A R K V I L L E

S H O W E R S E A T

  
AUTUMN LANE

**Warning!** This Shower Seat **MUST** be firmly attached to the shower wall before use. Follow all manufacturer's instructions for installation.

NOTE: The hardware included in the kit may not be suitable for every situation. Always use a qualified installation person. The maximum weight for this seat is 160kg (353lbs). This shower seat is NOT a disability device. For use by adults only. Do not let children play on seat. Before installing the unit, be sure to check that anchoring screws can properly set into wall materials. Inspect the wall materials to ensure that they are sound enough for proper installation. If the included hardware is insufficient to hold up to 400 pounds, obtain the proper hardware. The recommended height for the installation of this unit from floor of shower to the seat is 17.5 inches. Thoroughly inspect your shower seat once installed and regularly thereafter. If hardware attaching seat to the wall is loose or the seat has become damaged or broken, do not use until repaired by qualified personnel. To avoid injury when using, lower seat, step into shower, gently sit on shower seat, then turn on the water. Do not get up from the seat until the water is off and hands are free. When not in use, keep seat folded against wall.



---

## PARKVILLE SHOWER SEAT

---

Our discreet wall mounted shower seat is a stylish addition to any bathroom. With a white seat and polished chrome bracket it will look in keeping with any style of décor. The seat folds neatly against the wall when not in use and have no sharp corners that might cause injury.

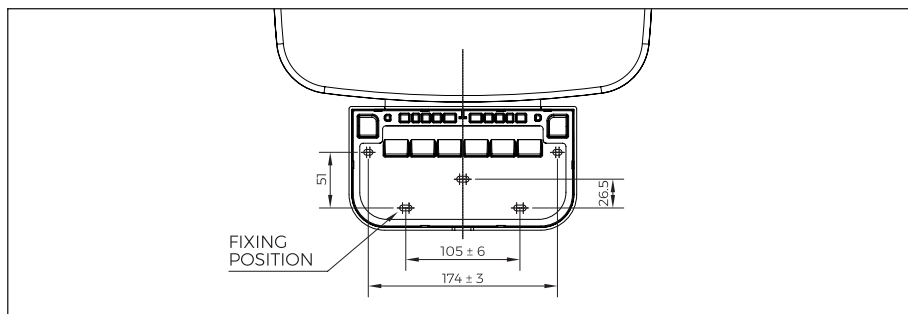
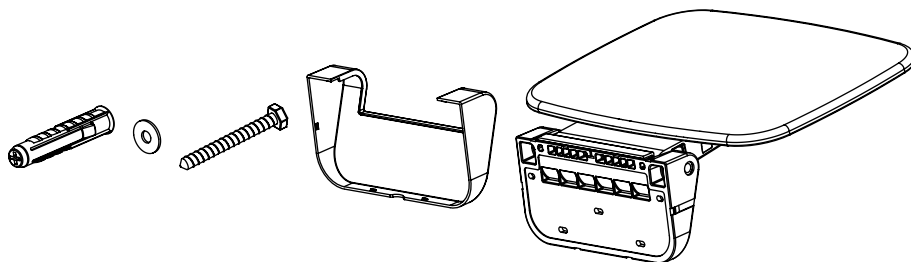
It is a strong and durable seat suitable for wet areas. When installed by a professional trades person, using the instructions provided, it is able to hold up to 350Lbs of weight.

---

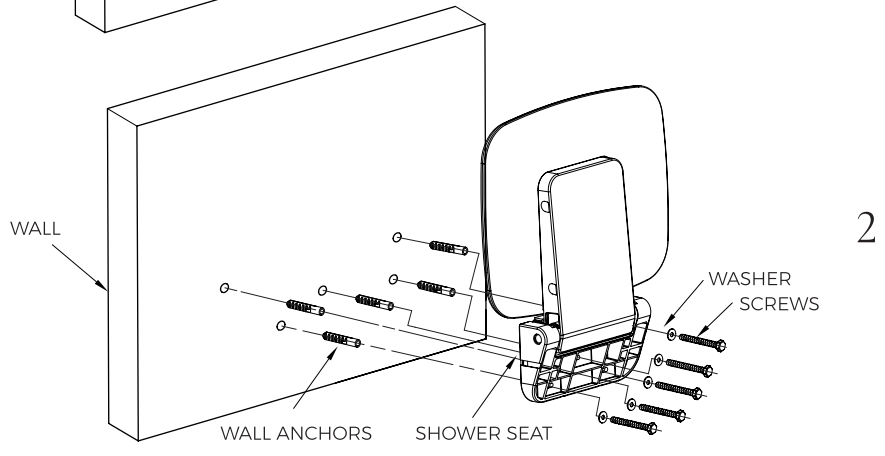
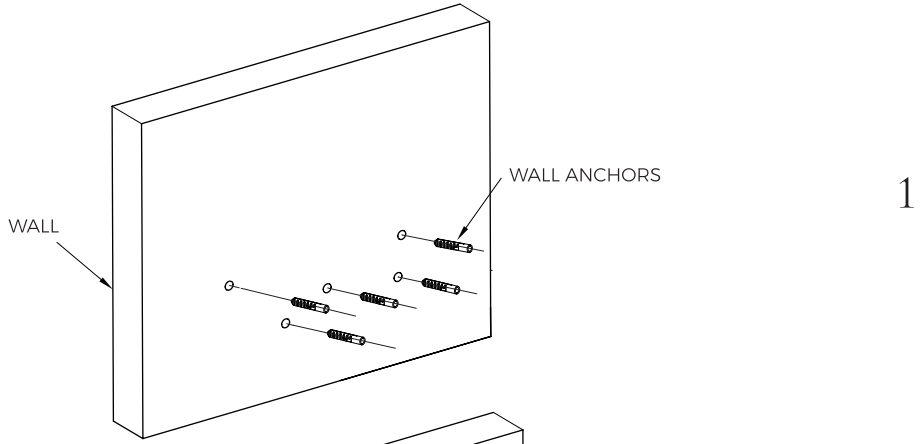
# PARKVILLE

## SHOWER SEAT

### PARTS

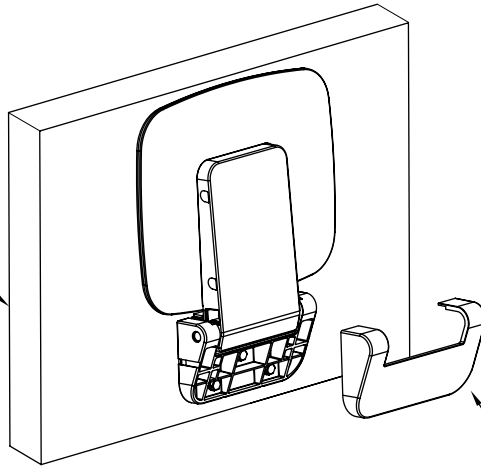


INSTRUCTION



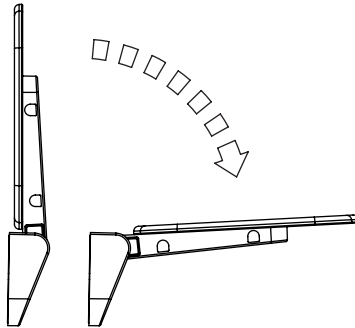
3

WALL



CHROME COVER  
FOR BRACKET

4



---

## A U T U M N L A N E

---

The uniquely elegant style of Autumn Lane is in our quality, craftsmanship and attention to detail. We remain true to these values and strive to create products that delight.

Our designers consider every new product by introducing creative thought, dignity and beauty into these everyday objects.

---



P A R K V I L L E

S H O W E R S E A T

[info@autumn-lane.com](mailto:info@autumn-lane.com)

[www.autumn-lane.com](http://www.autumn-lane.com)